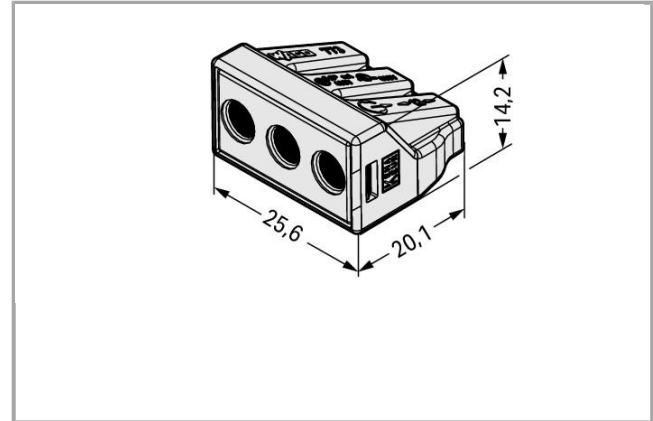
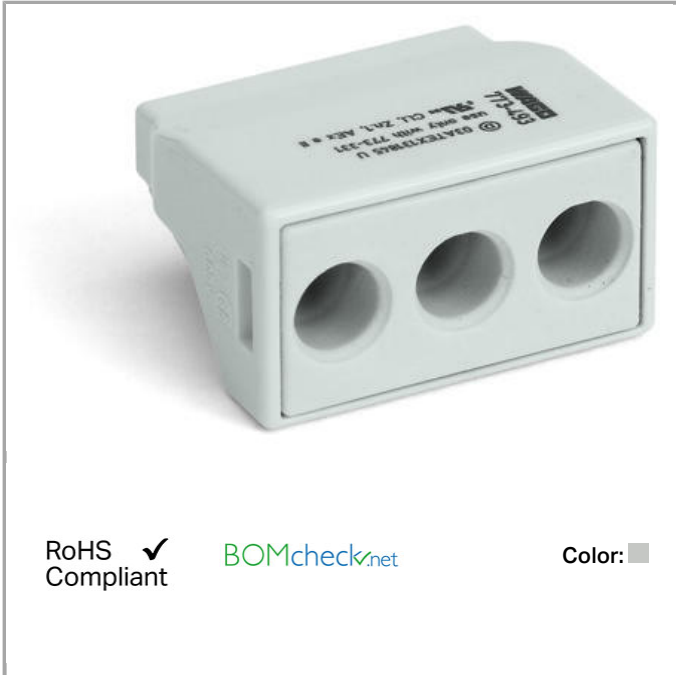


## Data sheet | Item number: 773-493

PUSH WIRE® connector for junction boxes; for solid and stranded conductors; for Ex applications; max. 2.5 mm<sup>2</sup>; 3-conductor; light gray housing; light gray cover; max. ambient operating temp. 60 °C



773-493



RoHS  Compliant

[BOMcheck.net](https://www.bomcheck.net)

Color:



### Item description

#### Note:

##### Terminating Aluminum Conductors

WAGO spring clamp terminal blocks are suitable for solid aluminum conductors up to 4 mm<sup>2</sup>/12 AWG if WAGO "Alu-Plus" Contact Paste is used for termination.

"Alu-Plus" Contact Paste Advantages:

- Automatically destroys the oxide film during clamping.
- Prevents fresh oxidation at the clamping point.

—



- Prevents electrolytic corrosion between aluminum and copper conductors (in the same terminal block).
- Provides long-term protection against corrosion.

Using terminal blocks with PUSH WIRE® Spring Pressure Connection Technology, **aluminum conductors must first be cleaned with a blade** and then immediately be inserted into the clamping units filled with "Alu-Plus" Contact Paste.

It is also possible to apply WAGO "Alu-Plus" **additionally** on the whole surface of the aluminum conductor before termination.

Please note that the nominal currents must be adapted to the reduced conductivity of the aluminum conductors:

2.5 mm<sup>2</sup> (14 AWG) = 16 A

4 mm<sup>2</sup> (12 AWG) = 22 A

**Safety information 1:**

275 V at a distance < 10 mm to parts of other potentials

**Safety information 2:**

To be used only in conjunction with 773-331 Mounting Carrier.

## Data

### Electrical data

Rated voltage EN (Ex e II)	550 V
----------------------------	-------

### Ratings per IEC/EN 60664-1

Rated current	42 A
---------------	------

### Connection data

Connection technology	PUSH WIRE®
Actuation type	Push-in
Connectable conductor materials	Copper Aluminum
Solid conductor	2.5 ... 6 mm <sup>2</sup> / 14 ... 10 AWG
Strip length	12 ... 15 mm / 0.47 ... 0.59 inch
Total number of connection points	3
Total number of potentials	1
Type of wiring	Side-entry wiring

### Geometrical Data

Width	25.6 mm / 1.008 inch
Height	14.2 mm / 0.559 inch
Depth	20.1 mm / 0.791 inch

### Material Data

Cover color	light gray
-------------	------------

Flammability class per UL94	V2
Fire load	0.113 MJ
Weight	5.75 g

### Environmental Requirements


Surrounding air (operating) temperature	60 °C
Continuous operating temperature	105 °C

### Commercial data


Product Group	7 (Push Wire Conn.)
Country of origin	CN
GTIN	4055143287593
Customs Tariff No.	85369010000

### Approvals / Certificates

#### Ex-Approvals


Logo	Approval	Additional Approval Text	Certificate name
	ATEX UL International Demko A/S	EN 60079	DEMKO 03 ATEX 131845U (II 2 G Ex eIIC Gb)

#### UL-Approvals

Logo	Approval	Additional Approval Text	Certificate name
	UL UL International Germany GmbH	UL 486C	E69654

### Compatible products

#### Mounting adapter

	Item no.: 773-331 Mounting carrier; for Ex applications; 773 Series - 2.5 mm <sup>2</sup> / 6 mm <sup>2</sup> ; for DIN-35 rail mounting/screw mounting	773-331
--	--	---------

### Downloads

#### Documentation

#### Bid Text



773-493

doc  
25.6 kB

[Download](#)

---

### CAD/CAE - Smart Data

#### CAD data

3D Download 773-493

[URL](#)

[Download](#)

---

Subject to changes.

---